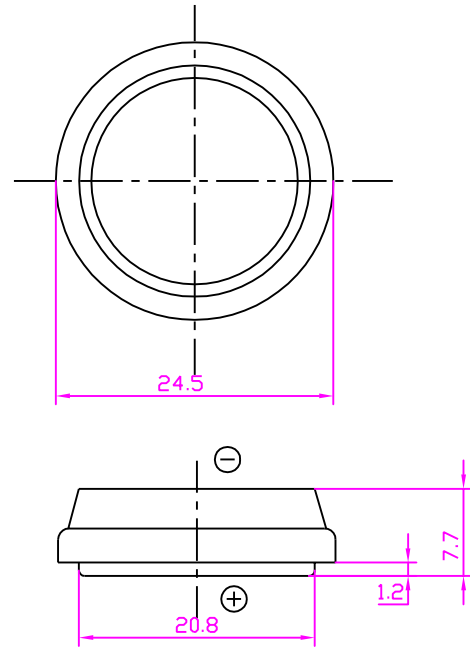
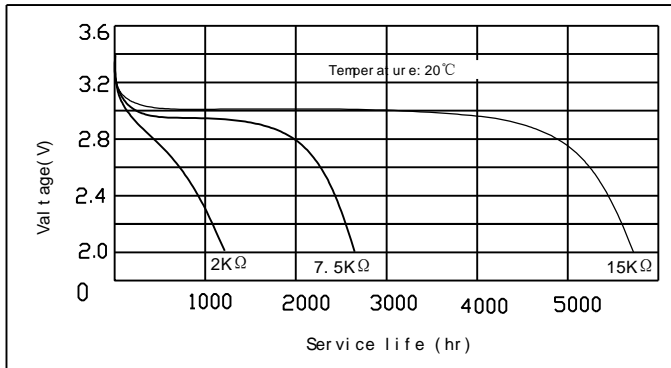


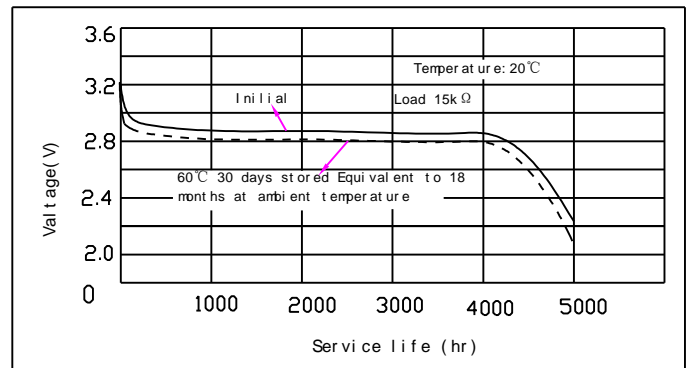
|                         |                                 |
|-------------------------|---------------------------------|
| <b>CR2477</b>           |                                 |
| <b>Nominal voltage</b>  | 3V                              |
| <b>Nominal capacity</b> | 1000( mAh)                      |
| <b>Load resistance</b>  | <b>15(K<math>\Omega</math>)</b> |
| <b>Weight</b>           | 8.3 ( g )                       |



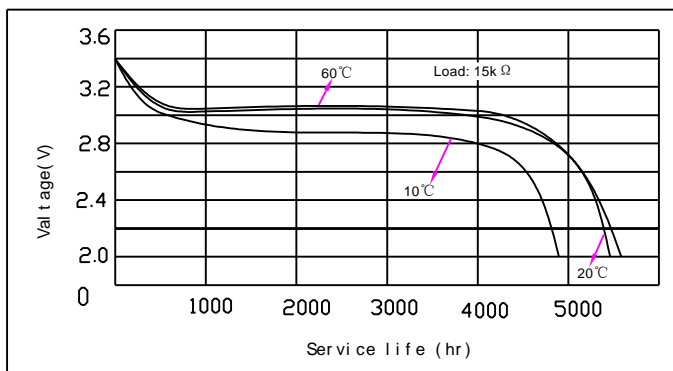
Discharge Characteristics



Storage Characteristics



Temperature Characteristics



Load-Capacity

