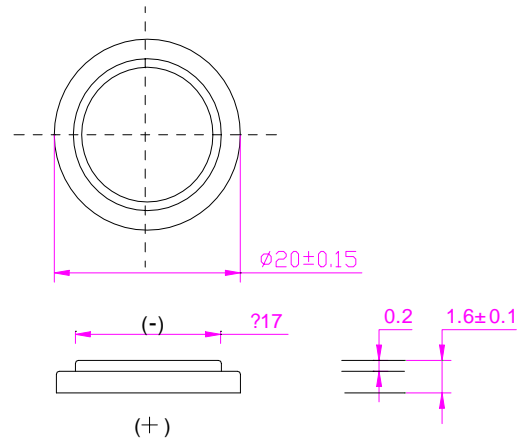
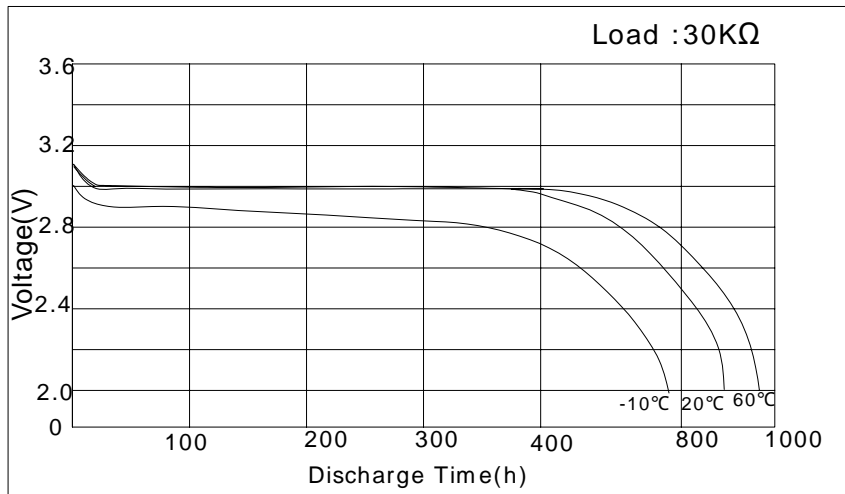


Lithium manganese button cell CR2016

Nominal voltage	3V
Nominal capacity	80mAh
Load Resistance	30kΩ
weight	1.9g

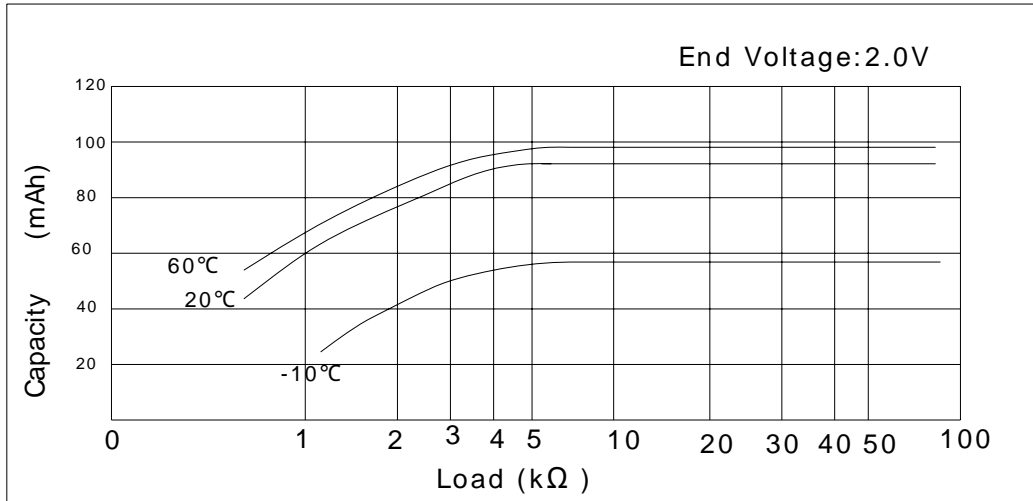


Temperature Characteristics





Load-capacity



Discharge characteristics

