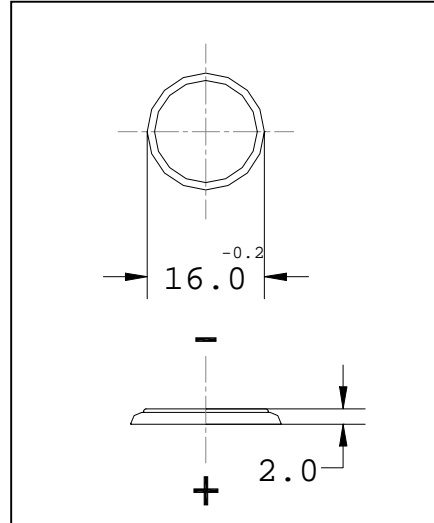


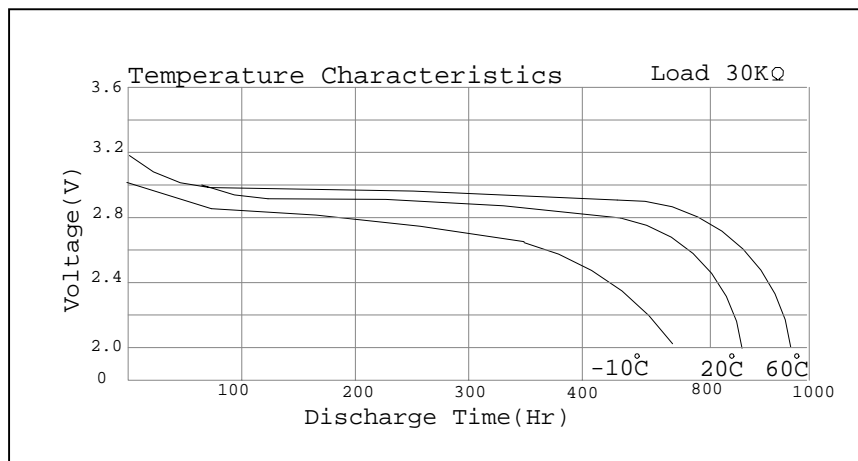
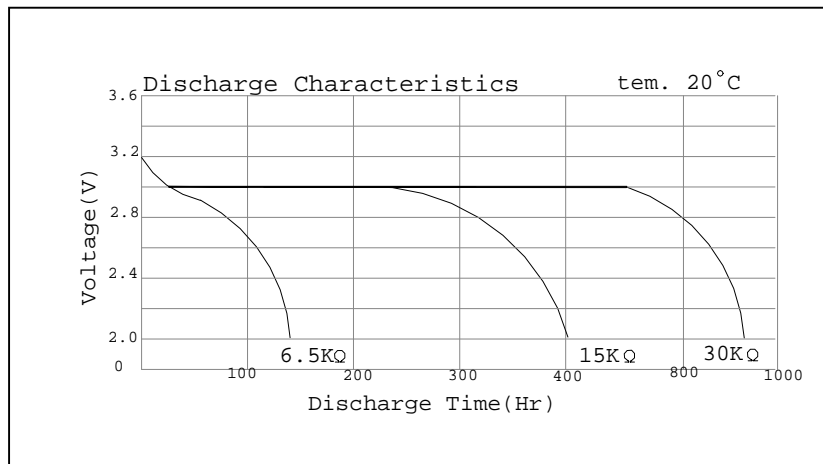
Manganese Dioxide Lithium Button Cell(Li/MnO<sub>2</sub>)

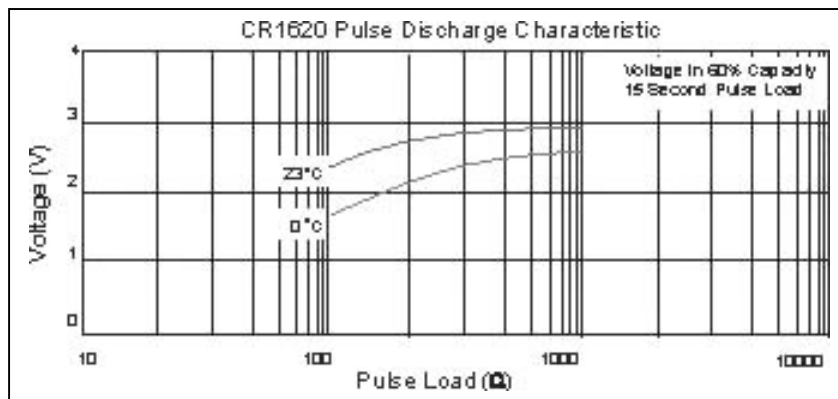
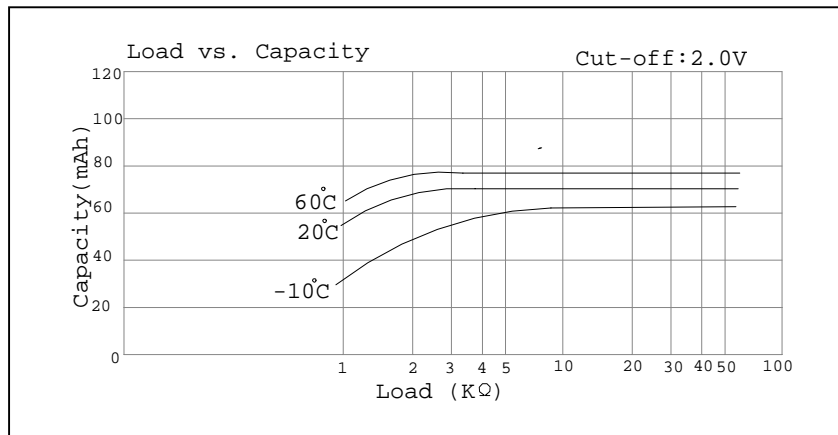
MODEL: CR1620

Nominal capacity (0.10mA to 2.0V)	70 mAh
Nominal voltage	3.0 V
Max. Continuous operating current	3 mA
Max. Pulse current	8 mA
Battery weight	1.5 g
Battery dimension	φ 16.0×2.0 mm
operating temperature	-30°C~+60°C



Electrical Characteristics:





**Warning:**

- .Do not short-circuit;
- .Do not recharge, force over-discharge, assemble / disassemble and crush; risk of fire and burns;
- .Do not use under temperature above specified range